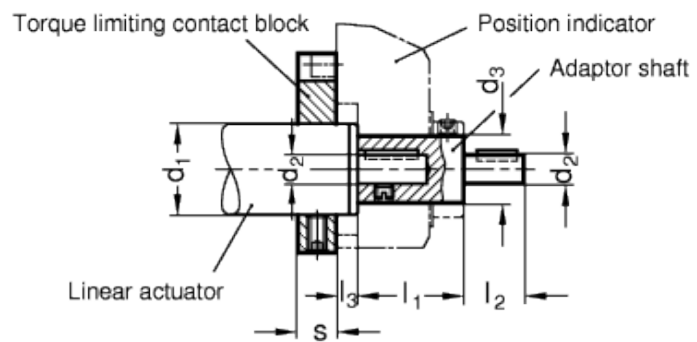
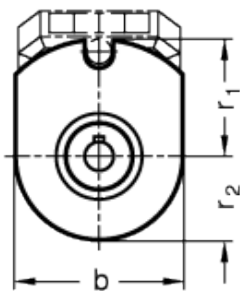


# GN 295

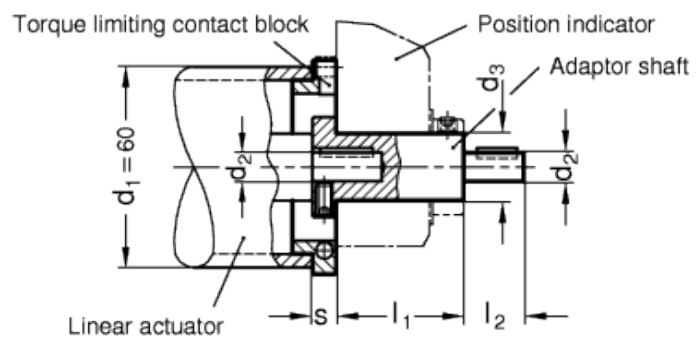
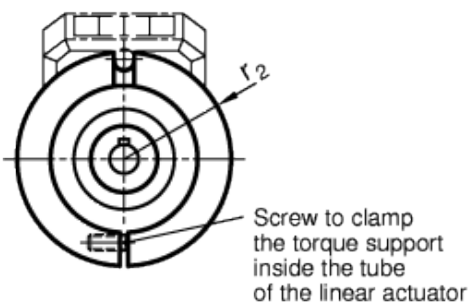
Installation kits on position indicators linear actuators



Execution for linear actuators  $\varnothing 18, 30, 40, 50$



Execution for linear actuator  $\varnothing 60$



technical informations

**Material**

Steel, blackened.

**Torque limiting contact block**

Aluminium, black anodised.

## Assembly

An installation kit GN 295 comprises an adaptor shaft and a torque limiting contact block.

## Features and applications

With the installation kits GN 295 the linear actuators can be fitted with a position indicator.

Retrofitting is possible. Remove the wheel, mount the kit and put the wheel back in place. For linear actuator units Ø 60, the plastic cover on the attachment side must be removed before assembly.

As a rule a counter is chosen which matches the pitch of the trapeze thread on the lead spindle to show the read-out required per complete revolution.

## Accessories

- Position indicators GN DD51 (see main catalogue page 488).
- Position indicators GN DD52R (see main catalogue page 494).
- Linear actuators GN 291 to GN 293 (see page 113ff.).

## Special executions on request (For sufficient quantities)

Position indicators GA11/GA12 (see main catalogue page 467) and the necessary special handwheels.

Standard Elements	Main dimensions											For position indicators	Weight
Description	d <sub>1</sub>	d <sub>2</sub> H7 / f7	b	d <sub>3</sub>	l <sub>1</sub>	l <sub>2</sub>	l <sub>3</sub>	r <sub>1</sub>	r <sub>2</sub>	s	g		
GN 295-18-6	18	6	35	14	30	16	4.5	24.5	17.5	8	DD51	50	
GN 295-30-8	30	8	35	14	35	15	-	24.5	17.5	10	DD51	60	
GN 295-40-12	40	12	47	20	40	16	-	32	24.5	10	DD52R	120	
GN 295-50-12	50	12	58	20	40	17	-	32	29	10	DD52R	118	
GN 295-60-14	60	14	-	20	39	18	-	-	32	7	DD52R	150	



STANDARD MACHINE ELEMENTS WORLDWIDE